

Bicycle Racks

Cycle Stand

ESBR002



On the go



Key Stage One



Key Stage Two



Product Description

- Tubular cycle stand with crossbar and optional laser cut cycle motif
- Available in 40mm dia. steel hot dipped galvanized to BS EN ISO 1461:1999 or stainless steel (£POA)
- Base plate or submerged fixing

Product Information

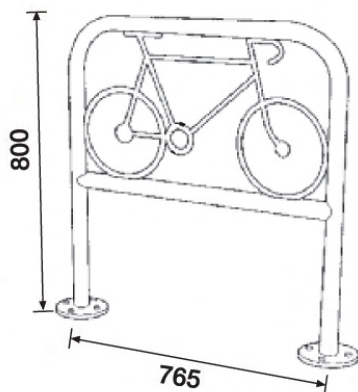
Product type: Bicycle Racks
Series: Essentials

Default colours:



Technical Information

Height: 800mm
Length: 765mm



Dimensions are shown in mm unless otherwise stated